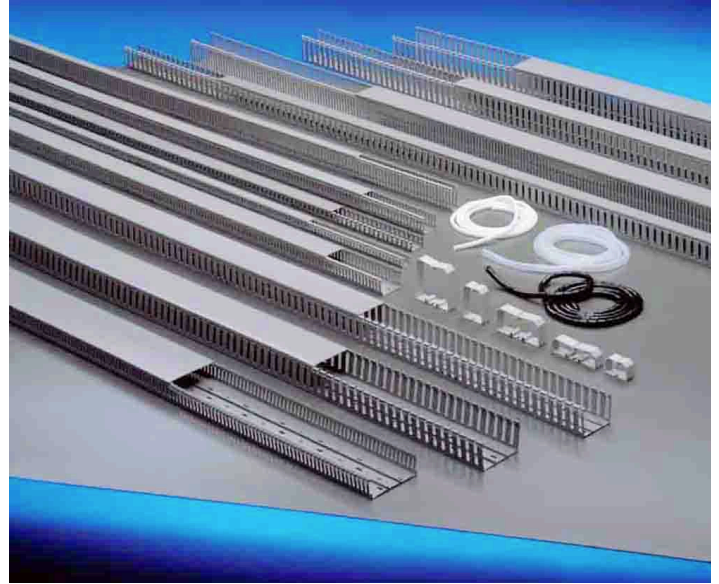
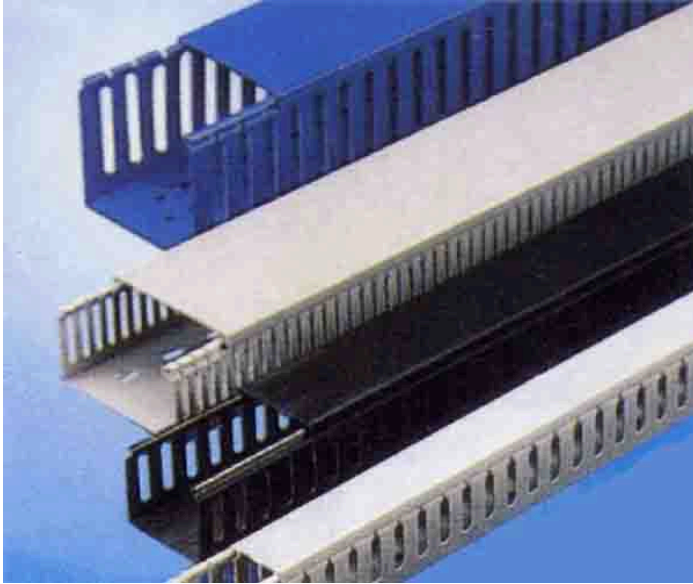


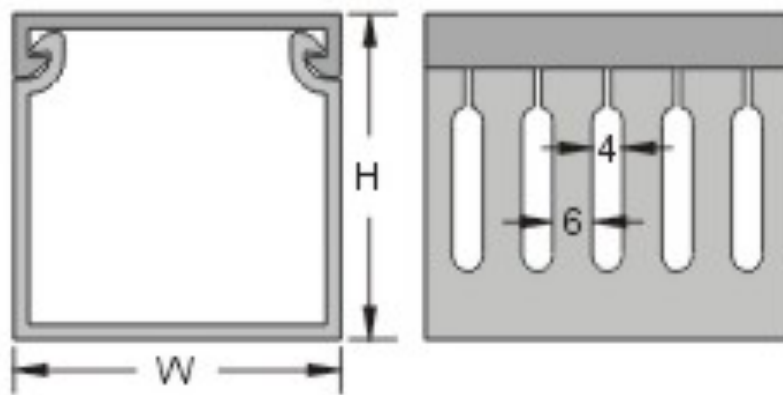
# Slotted Trunking



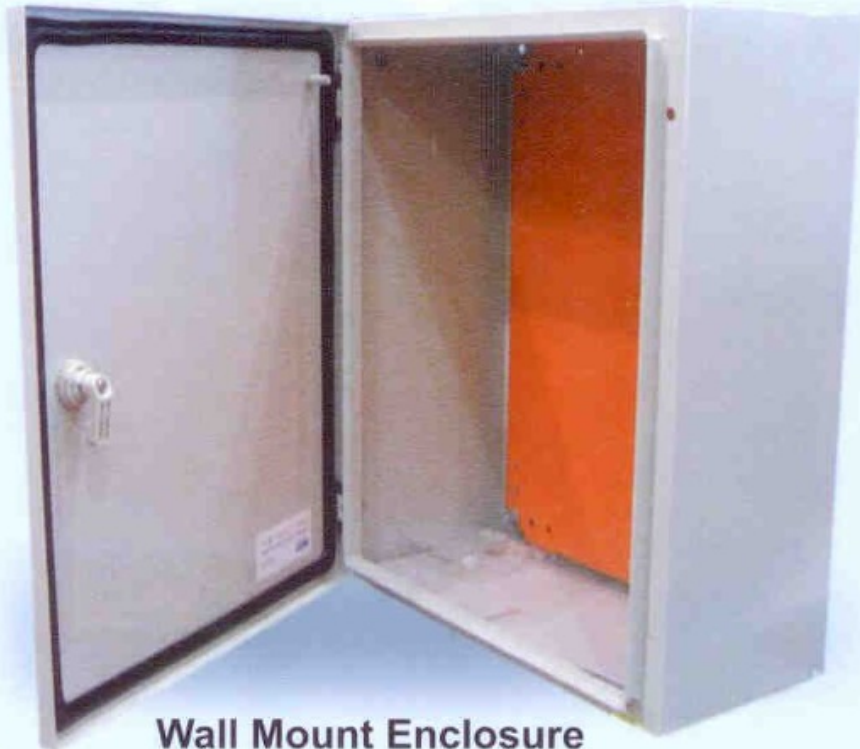
## Description

- ✓ **Material:** High impact, warp-proof PVC, self-extinguishing, UL approved.
- ✓ **Colour:** Grey
- ✓ **Maximum service temperature:** 85C
- ✓ UL Test up to 50C
- ✓ These devices are for routing of wires within devices in factory installations.
- ✓ Features parallel holes on both sidewalls to facilitate cutting in wire application.





MODEL	SIZE (4mm)		Wires to be Contained (16-14 AWG)	Length
	H	W		
WHD0L	25	25	10 - 25 pc	<b>2M</b>
WHD2.2L	50	50	80 - 90 pcs	
WHD5.5L	60	60	120 - 135 pcs	
WHD6.7L	48	100	215 - 250 pcs	
WHD8L	100	100	300 - 400 pcs	
WHVD2	25	40	20 - 25 pcs	
WHVD4	40	40	60 - 70 pcs	
WHVD6	25	60	40 - 45 pcs	
WHVD7	40	60	100 - 115 pcs	
WHVD9.66	25	80	100 - 120 pcs	
WHVD9.7	40	80	120 - 135 pcs	
WHVD9.8	60	80	180 - 210 pcs	
WHVD10	80	80	240 - 290 pcs	
WHVD10.5	100	80	260 - 350 pcs	
WHVD12	40	100	130 - 175 pcs	
WHVD13	60	100	240 - 290 pcs	
WHVD14	80	100	260 - 350 pcs	



**Wall Mount Enclosure**

Our ST range enclosures are the best available on the market

A well engineered product which has been continuously updated and improved has created a wide range and possible variations, including 32 sizes in FE 40 sheet steel, 19 sizes with glazed door and 7 sizes in AISI 304 stainless steel.

Enclosures are available in portrait, landscape and 2 doors configurations.

The main characteristic of our enclosure is the robust construction achieved by a careful mix of design, automated production system and top quality materials, including:

High performance techno polymers used for locking system and hinge pins.

Zinc alloy for hinges.

Thermosetting epoxy polyester powder coating for finishes

2 components polyurethane for machine applied seal profile.

Sheet steel.

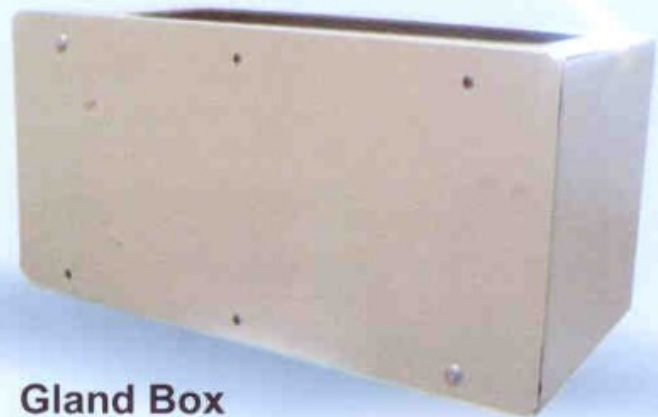
The ST box has many distinctive features. Large size cable entry (4 sizes) with removable, flush gland plates.

Standard door mounted rails for fixing trucking wiring.

Reversible door with screwed hinges on body. Basket protection clip for transport and storage.

The deep gutter profile on the edge of the body is instrumental in achieving a degree of protection to IP65, EN60 529 NEMA 4 on single boxes and IP55 on 2 doors versions.

Four of six studs are fitted on all ST and STP versions (except 150 doors) to facilitate the



**Gland Box**

**Material**

Enclosure & door: sheet steel 1.2mm till size ST6-820 then 1.5mm

Mounting plate : sheet steel 1.5mm till size ST-820 then 2.0mm

Surface Finish

Enclosure & door : thermosetting epoxy polyester powder coating in textured RAL7032

Mounting plate: zinc coated

Supply includes

Mounting plate

Gland plate and sealing gasket



## Conical

	<b>■ YE-625 (mm)</b>	
	Tensile strength(LBS)	500
	Voltage withstand(KV)	6
	Torgue strength(FT LBS)	6
	screw(mm)	6
	screw depth(mm)	9

	<b>■ YE-850 YE-1050 (mm)</b>	
	Tensile strength(LBS)	1000
	Voltage withstand(KV)	15
	Torgue strength(FT LBS)	12   20
	screw(mm)	8   10
	screw depth(mm)	12   15

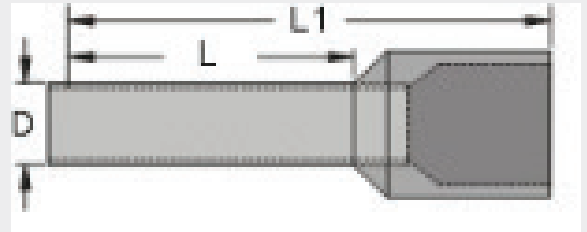
	<b>■ YE-630 YE-830 (mm)</b>	
	Tensile strength(LBS)	550
	Voltage withstand(KV)	8
	Torgue strength(FT LBS)	6   8
	screw(mm)	6   8
	screw depth(mm)	9   12

	<b>■ YE-1060 YE-1260 (mm)</b>	
	Tensile strength(LBS)	1200
	Voltage withstand(KV)	20
	Torgue strength(FT LBS)	20   40
	screw(mm)	10   12
	screw depth(mm)	15   18

	<b>■ YE-640 YE-840 (mm)</b>	
	Tensile strength(LBS)	650
	Voltage withstand(KV)	12
	Torgue strength(FT LBS)	12
	screw(mm)	6   8
	screw depth(mm)	12

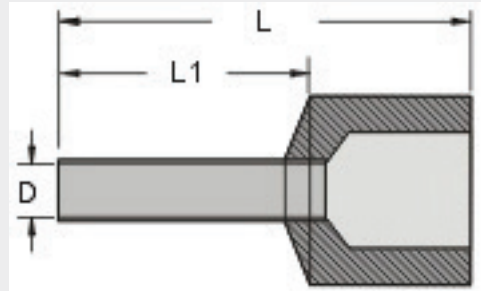
	<b>■ YE-1070 YE-1270 (mm)</b>	
	Tensile strength(LBS)	1500
	Voltage withstand(KV)	22
	Torgue strength(FT LBS)	20   40
	screw(mm)	10   12
	screw depth(mm)	15   18

## INSULATED CORD END TERMINAL



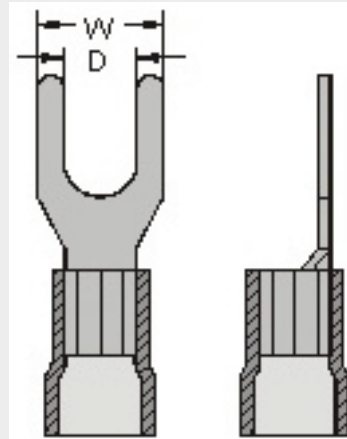
<input type="checkbox"/> ET0.5-8WE	White	<input type="checkbox"/> ET0.5-8WE	White	<input type="checkbox"/> ET0.5-8OE	Orange	8.0	14.0	1	22	0.5
<input type="checkbox"/> ET0.5-10WE	White	<input type="checkbox"/> ET0.5-10WE	White	<input type="checkbox"/> ET0.5-10OE	Orange	10.0	16.0			
<input type="checkbox"/> ET0.75-6GY	Grey	<input type="checkbox"/> ET0.75-6BE	Blue	<input type="checkbox"/> ET0.75-6WE	White	6.0	12.0	1.2	20	0.75
<input type="checkbox"/> ET0.75-8GY	Grey	<input type="checkbox"/> ET0.75-8BE	Blue	<input type="checkbox"/> ET0.75-8WE	White	8.0	14.0			
		<input type="checkbox"/> ET0.75-10BE	Blue	<input type="checkbox"/> ET0.75-10GY	White	10.0	16.0			
		<input type="checkbox"/> ET0.75-12BE	Blue	<input type="checkbox"/> ET0.75-12GY	White	12.0	18.0			
<input type="checkbox"/> ET1.0-6RD	Red	<input type="checkbox"/> ET1.0-6RD	Red	<input type="checkbox"/> ET1.0-6YW	Yellow	6.0	12.0	1.4	18	1.0
<input type="checkbox"/> ET1.0-8RD	Red	<input type="checkbox"/> ET1.0-8RD	Red	<input type="checkbox"/> ET1.0-8YW	Yellow	8.0	14.0			
<input type="checkbox"/> ET1.0-10RD	Red	<input type="checkbox"/> ET1.0-10RD	Red	<input type="checkbox"/> ET1.0-10YW	Yellow	10.0	16.0			
<input type="checkbox"/> ET1.0-12RD	Red	<input type="checkbox"/> ET1.0-12RD	Red	<input type="checkbox"/> ET1.0-12YW	Yellow	12.0	18.0			
<input type="checkbox"/> ET1.5-8BK	Black	<input type="checkbox"/> ET1.5-8BK	Black	<input type="checkbox"/> ET1.5-8RD	Red	8.0	14.0	1.7	16	1.5
<input type="checkbox"/> ET1.5-10BK	Black	<input type="checkbox"/> ET1.5-10BK	Black	<input type="checkbox"/> ET1.5-10RD	Red	10.0	16.0			
<input type="checkbox"/> ET1.5-12BK	Black	<input type="checkbox"/> ET1.5-12BK	Black	<input type="checkbox"/> ET1.5-12RD	Red	12.0	18.0			
<input type="checkbox"/> ET1.5-18BK	Black	<input type="checkbox"/> ET1.5-18BK	Black	<input type="checkbox"/> ET1.5-18RD	Red	18.0	24.0			
<input type="checkbox"/> ET2.5-8BE	Blue	<input type="checkbox"/> ET2.5-8GY	Grey	<input type="checkbox"/> ET2.5-8BE	Blue	8.0	14.0	2.2	14	2.5
<input type="checkbox"/> ET2.5-10BE	Blue	<input type="checkbox"/> ET2.5-10GY	Grey	<input type="checkbox"/> ET2.5-10BE	Blue	10.0	16.0			
<input type="checkbox"/> ET2.5-12BE	Blue	<input type="checkbox"/> ET2.5-12GY	Grey	<input type="checkbox"/> ET2.5-12BE	Blue	12.0	18.0			
<input type="checkbox"/> ET2.5-18BE	Blue	<input type="checkbox"/> ET2.5-18GY	Grey	<input type="checkbox"/> ET2.5-18BE	Blue	18.0	24.0			
<input type="checkbox"/> ET4-10GY	Grey	<input type="checkbox"/> ET4-10OE	Orange	<input type="checkbox"/> ET4-10GY	Grey	10.0	17.0	2.8	12	4
<input type="checkbox"/> ET4-12GY	Grey	<input type="checkbox"/> ET4-12OE	Orange	<input type="checkbox"/> ET4-12GY	Grey	12.0	20.0			
<input type="checkbox"/> ET4-18GY	Grey	<input type="checkbox"/> ET4-18OE	Orange	<input type="checkbox"/> ET4-18GY	Grey	18.0	26.0			
<input type="checkbox"/> ET6-12YW	Yellow	<input type="checkbox"/> ET6-12GN	Green	<input type="checkbox"/> ET6-12BK	Black	12.0	20.0	3.5	10	6
<input type="checkbox"/> ET6-18YW	Yellow	<input type="checkbox"/> ET6-18GN	Green	<input type="checkbox"/> ET6-18BK	Black	18.0	26.0			
<input type="checkbox"/> ET10-12RD	Red	<input type="checkbox"/> ET10-12BN	Brown	<input type="checkbox"/> ET10-12IY	Ivory	12.0	22.0	4.5	8	10
<input type="checkbox"/> ET10-18RD	Red	<input type="checkbox"/> ET10-18BN	Brown	<input type="checkbox"/> ET10-18IY	Ivory	18.0	28.0			
<input type="checkbox"/> ET16-12BE	Blue	<input type="checkbox"/> ET16-12IY	Ivory	<input type="checkbox"/> ET16-12GN	Green	12.0	24.0	5.8	6	16
<input type="checkbox"/> ET16-18BE	Blue	<input type="checkbox"/> ET16-18IY	Ivory	<input type="checkbox"/> ET16-18GN	Green	18.0	28.0			
<input type="checkbox"/> ET25-16YW	Yellow	<input type="checkbox"/> ET25-16BK	Black	<input type="checkbox"/> ET25-16BN	Brown	16.0	28.0	7.3	4	25
<input type="checkbox"/> ET25-18YW	Yellow	<input type="checkbox"/> ET25-18BK	Black	<input type="checkbox"/> ET25-18BN	Brown	18.0	30.0			
<input type="checkbox"/> ET25-22YW	Yellow	<input type="checkbox"/> ET25-22BK	Black	<input type="checkbox"/> ET25-22BN	Brown	22.0	35.0			
<input type="checkbox"/> ET35-16RD	Red	<input type="checkbox"/> ET35-16RD	Red	<input type="checkbox"/> ET35-16BG	Beige	16.0	30.0	8.3	2	35
<input type="checkbox"/> ET35-18RD	Red	<input type="checkbox"/> ET35-18RD	Red	<input type="checkbox"/> ET35-18BG	Beige	18.0	32.0			
<input type="checkbox"/> ET35-25RD	Red	<input type="checkbox"/> ET35-25RD	Red	<input type="checkbox"/> ET35-25BG	Beige	25.0	39.0			
<input type="checkbox"/> ET50-20BE	Blue	<input type="checkbox"/> ET50-20BE	Blue	<input type="checkbox"/> ET50-20OG	Olive	20.0	36.0	10.3	1/0	50
<input type="checkbox"/> ET50-25BE	Blue	<input type="checkbox"/> ET50-25BE	Blue	<input type="checkbox"/> ET50-25OG	Olive	25.0	40.0			
<input type="checkbox"/> ET70-21YW	Yellow					21.0	37.0	13.5	2/0	70
<input type="checkbox"/> ET95-25RD	Red					25.0	44.0	95	3/0	95
<input type="checkbox"/> ET120-27BE	Blue					27.0	48.0	120	4/0	120
<input type="checkbox"/> ET150-32YW	Yellow					32.0	58.0	150	250-300 mcm	150

# INSULATED TWIN CORD END TERMINAL



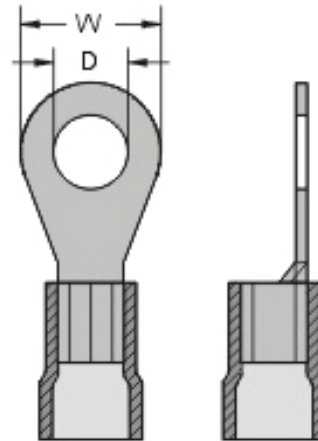
												Unit: mm	
DIN System		T System		W System		Dimension					Wire Size		
Item No.	Color	Item No.	Color	Item No.	Color	L	L1	D	W	H	AWG	DIN mm <sup>2</sup>	
<input type="checkbox"/> EW0.5-8WE	White	<input type="checkbox"/> EW0.5-8WE	White	<input type="checkbox"/> EW0.5-8OE	Orange	15.0	8.0	1.5	4.7	2.5	22	0.5	
<input type="checkbox"/> EW0.75-8GY	Grey	<input type="checkbox"/> EW0.75-8BE	Blue	<input type="checkbox"/> EW0.75-8WE	White	15.0	8.0	1.8	5.0	2.8	20	0.75	
<input type="checkbox"/> EW0.75-10GY	Grey	<input type="checkbox"/> EW0.75-10BE	Blue	<input type="checkbox"/> EW0.75-10WE	White	17.0	10.0						
<input type="checkbox"/> EW1.0-8RD	Red	<input type="checkbox"/> EW1.0-8RD	Red	<input type="checkbox"/> EW1.0-8YW	Yellow	15.0	8.0	2.05	5.4	3.4	18	1.0	
<input type="checkbox"/> EW1.0-10RD	Red	<input type="checkbox"/> EW1.0-10RD	Red	<input type="checkbox"/> EW1.0-10YW	Yellow	17.0	10.0						
<input type="checkbox"/> EW1.5-8BK	Black	<input type="checkbox"/> EW1.5-8BK	Black	<input type="checkbox"/> EW1.5-8RD	Red	16.0	8.0	2.2	6.6	3.6	16	1.5	
<input type="checkbox"/> EW1.5-12BK	Black	<input type="checkbox"/> EW1.5-12BK	Black	<input type="checkbox"/> EW1.5-12RD	Red	20.0	12.0						
<input type="checkbox"/> EW2.5-10BE	Blue	<input type="checkbox"/> EW2.5-10GY	Grey	<input type="checkbox"/> EW2.5-10BE	Blue	18.5	10.0	2.8	7.8	4.2	14	2.5	
<input type="checkbox"/> EW2.5-13BE	Blue	<input type="checkbox"/> EW2.5-13GY	Grey	<input type="checkbox"/> EW2.5-13BE	Blue	21.5	13.0						
<input type="checkbox"/> EW4-12GY	Grey	<input type="checkbox"/> EW4-12OE	Orange	<input type="checkbox"/> EW4-12GY	Grey	23.0	12.0	3.7	8.8	4.9	12	4	
<input type="checkbox"/> EW6-14YW	Yellow	<input type="checkbox"/> EW6-14GN	Green	<input type="checkbox"/> EW6-14BK	Black	26.0	14.0	4.8	10.0	6.9	10	6	
<input type="checkbox"/> EW10-14RD	Red	<input type="checkbox"/> EW10-14BN	Brown	<input type="checkbox"/> EW10-14IY	Ivory	26.0	14.0	6.4	13.0	7.2	8	10	
<input type="checkbox"/> EW16-14BE	Blue	<input type="checkbox"/> EW16-14IY	Ivory	<input type="checkbox"/> EW16-14GN	Green	30.0	14.0	8.3	18.4	9.6	6	16	

# INSULATED Y TERMINAL



Unit: mm					
Item No.	Stud Size D	Width W	Wire Size		Packing
			AWG	mm <sup>2</sup>	
■ YF1.25-3S	3.7	5.7	22-18	0.5-1.0	100 pcs / Bag
■ YF1.25-3	3.7	6.2			
■ YF1.25-4S	4.3	6.4			
■ YF1.25-4	4.3	7.2			
■ YF1.25-5	5.3	8.0			
■ YF1.25-6	6.4	10.7			
■ YF2-3S	3.7	5.7	16-14	1.5-2.5	
■ YF2-3	3.7	6.2			
■ YF2-4S	4.3	6.4			
■ YF2-4	4.3	7.2			
■ YF2-5	5.3	8.0			
■ YF2-6	6.4	10.7			
■ YF3.5-3S	3.7	6.4	14-12	2.5-4.0	
■ YF3.5-3	3.7	7.4			
■ YF3.5-4	4.3	8.0			
■ YF3.5-5	5.3	8.0			
□ YF5.5-3S	3.7	7.2	12-10	4.0-6.0	
□ YF5.5-3	3.7	8.2			
□ YF5.5-4S	4.3	7.2			
□ YF5.5-4	4.3	8.2			
□ YF5.5-5	5.3	9.0			
□ YF5.5-6	6.4	10.8			
■ YF8-4	4.3	8.2	8	10	
■ YF8-5	5.3	9.0			
■ YF8-6	6.4	12.0			

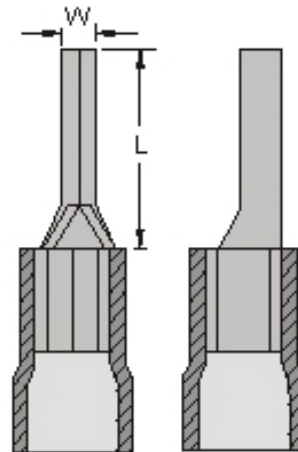
## INSULATED RING TERMINALS



Unit: mm					
Item No.	Stud Size D	Width W	Wire Size		Packing
			AWG	mm <sup>2</sup>	
■ RF1.25-3S	3.2	5.5	22-16	0.5-1.0	100 pcs / Bag
■ RF1.25-3	3.7	5.5			
■ RF1.25-4	4.3	8.0			
■ RF1.25-4M	4.3	6.6			
■ RF1.25-5	5.3	8.0			
■ RF1.25-6	6.4	11.7			
■ RF1.25-8	8.4	11.7			
■ RF1.25-10	10.5	13.7			
■ RF2-3S	3.7	6.5	16-14	1.5-2.5	
■ RF2-3	3.7	6.5			
■ RF2-4	4.3	8.5			
■ RF2-4M	4.3	6.6			
■ RF2-5	5.3	9.5			
■ RF2-6	6.4	12.0			
■ RF2-8	8.4	12.0			
■ RF2-10	10.5	13.7			
■ RF3.5-4	4.3	8.0	14-12	2.5-4.0	
■ RF3.5-5	5.3	8.0			
■ RF3.5-6	6.4	12.0			
■ RF5.5-3	3.7	9.4	12-10	4.0-6.0	
■ RF5.5-4	4.3	9.5			
■ RF5.5-5	5.3	9.5			
■ RF5.5-6S	6.4	12.0			
■ RF5.5-8	8.4	15.0			
■ RF5.5-10	10.5	15.0			
■ RF8-5S	5.3	9.0	8	10	
■ RF8-5	5.3	12.0			
■ RF8-6	6.4	12.0			

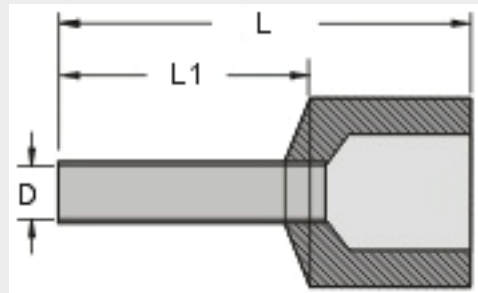


## PIN INSULATED TERMINALS



Unit: mm					
Item No.	Dimension		Wire Size		Packing
	W	L	AWG	mm <sup>2</sup>	
■ PIN1.25-AF	1.9	12.0	22-16	0.5-1.0	100 pcs / Bag
■ PIN2-AF	1.9	12.0	16-14	1.5-2.5	
■ PIN5.5-AF	2.7	14.0	12-10	4.0-6.0	

# INSULATED CORD END TERMINALS



**Unit: mm**

DIN System		T System		W System		Dimension					Wire Size	
Item No.	Color	Item No.	Color	Item No.	Color	L	L1	D	W	H	AWG	DIN mm <sup>2</sup>
<input type="checkbox"/> EW0.5-8WE	White	<input type="checkbox"/> EW0.5-8WE	White	<input type="checkbox"/> EW0.5-8OE	Orange	15.0	8.0	1.5	4.7	2.5	22	0.5
<input type="checkbox"/> EW0.75-8GY	Grey	<input type="checkbox"/> EW0.75-8BE	Blue	<input type="checkbox"/> EW0.75-8WE	White	15.0	8.0	1.8	5.0	2.8	20	0.75
<input type="checkbox"/> EW0.75-10GY	Grey	<input type="checkbox"/> EW0.75-10BE	Blue	<input type="checkbox"/> EW0.75-10WE	White	17.0	10.0					
<input type="checkbox"/> EW1.0-8RD	Red	<input type="checkbox"/> EW1.0-8RD	Red	<input type="checkbox"/> EW1.0-8YW	Yellow	15.0	8.0	2.05	5.4	3.4	18	1.0
<input type="checkbox"/> EW1.0-10RD	Red	<input type="checkbox"/> EW1.0-10RD	Red	<input type="checkbox"/> EW1.0-10YW	Yellow	17.0	10.0					
<input type="checkbox"/> EW1.5-8BK	Black	<input type="checkbox"/> EW1.5-8BK	Black	<input type="checkbox"/> EW1.5-8RD	Red	16.0	8.0	2.2	6.6	3.6	16	1.5
<input type="checkbox"/> EW1.5-12BK	Black	<input type="checkbox"/> EW1.5-12BK	Black	<input type="checkbox"/> EW1.5-12RD	Red	20.0	12.0					
<input type="checkbox"/> EW2.5-10BE	Blue	<input type="checkbox"/> EW2.5-10GY	Grey	<input type="checkbox"/> EW2.5-10BE	Blue	18.5	10.0	2.8	7.8	4.2	14	2.5
<input type="checkbox"/> EW2.5-13BE	Blue	<input type="checkbox"/> EW2.5-13GY	Grey	<input type="checkbox"/> EW2.5-13BE	Blue	21.5	13.0					
<input type="checkbox"/> EW4-12GY	Grey	<input type="checkbox"/> EW4-12OE	Orange	<input type="checkbox"/> EW4-12GY	Grey	23.0	12.0	3.7	8.8	4.9	12	4
<input type="checkbox"/> EW6-14YW	Yellow	<input type="checkbox"/> EW6-14GN	Green	<input type="checkbox"/> EW6-14BK	Black	26.0	14.0	4.8	10.0	6.9	10	6
<input type="checkbox"/> EW10-14RD	Red	<input type="checkbox"/> EW10-14BN	Brown	<input type="checkbox"/> EW10-14IY	Ivory	26.0	14.0	6.4	13.0	7.2	8	10
<input type="checkbox"/> EW16-14BE	Blue	<input type="checkbox"/> EW16-14IY	Ivory	<input type="checkbox"/> EW16-14GN	Green	30.0	14.0	8.3	18.4	9.6	6	16