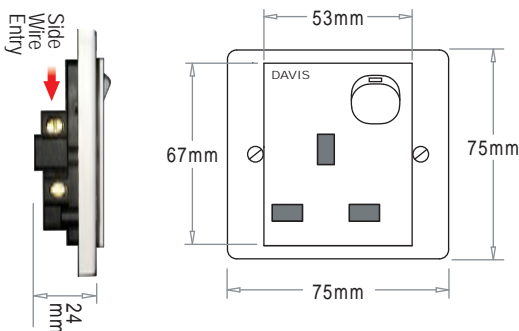


13A SWITCHED SOCKET OUTLETS - SIDE WIRE ENTRY

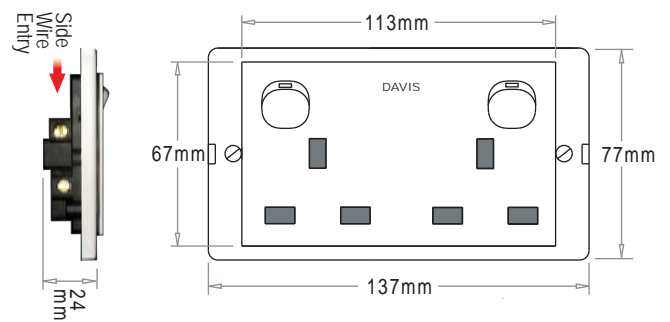
DAVIS one and two gang 13A S.S.O are specially designed to be slim (24mm) and with side wire entry to suit underfloor service boxes.

Rating / Standard : 240V, 13A a.c / BS 1363 : Part 2

3 terminals : 4x2.5mm² cables each or 3x4.0mm² cables each to accommodate



Model	Description
D13/1GS	1 GANG 13A SWITCHED SOCKET



Model	Description
D13/2GS	2 GANG 13A SWITCHED SOCKET

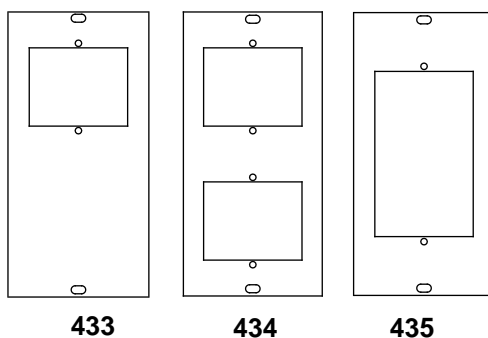


D13/1GS



D13/2GS

OUTLET PANELS



433

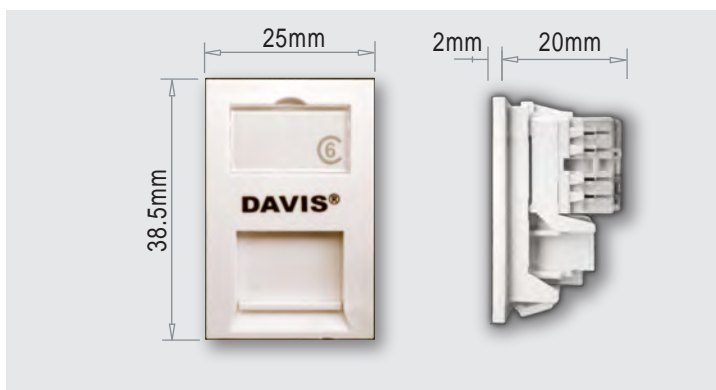
434

435

MODEL	DESCRIPTION
433	1G 13A SWITCHED SOCKET OUTLET
434	2 x 1G 13A SWITCHED SOCKET OUTLET
435	2G 13A SWITCHED SOCKET OUTLET

Davis Cat6 Module

Davis modular type Cat6 is data outlet socket ideal for underfloor service box installation.



TECHNICAL SPECIFICATIONS

Model:	D-RJ45-CAT6
Fully tested and approved to	TIA/EIA 568b.2-1 Cat.6 TIA/EIA 568b.2 Cat.5e
Dimensions:	25x38.5mm
Material:	High Impact, Fire Retardant Plastic, UL 94V-0
Colour:	Gloss bright white
Termination:	Krone style IDC coded to TIA/EIA 568B
Sockets:	RJ45 8 contact, gold plated
Hole cut-out:	37mm x 22mm
Accessibility:	Come with shutter and identification label holder